

4

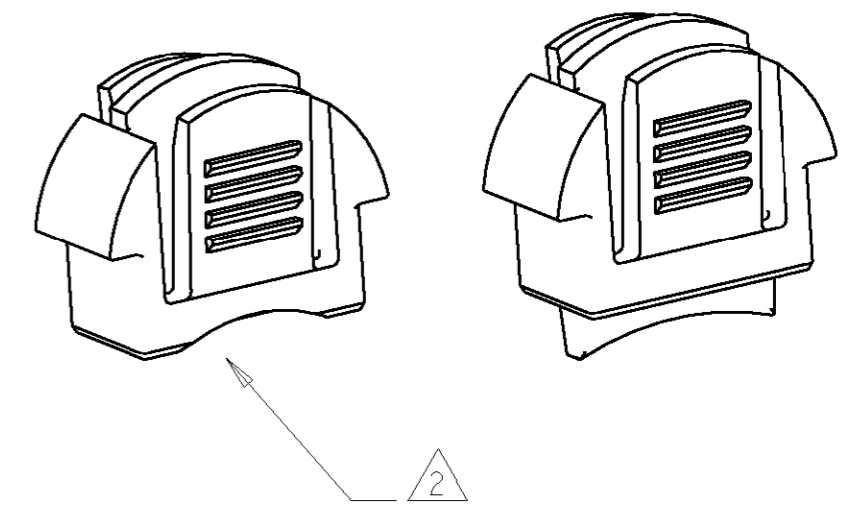
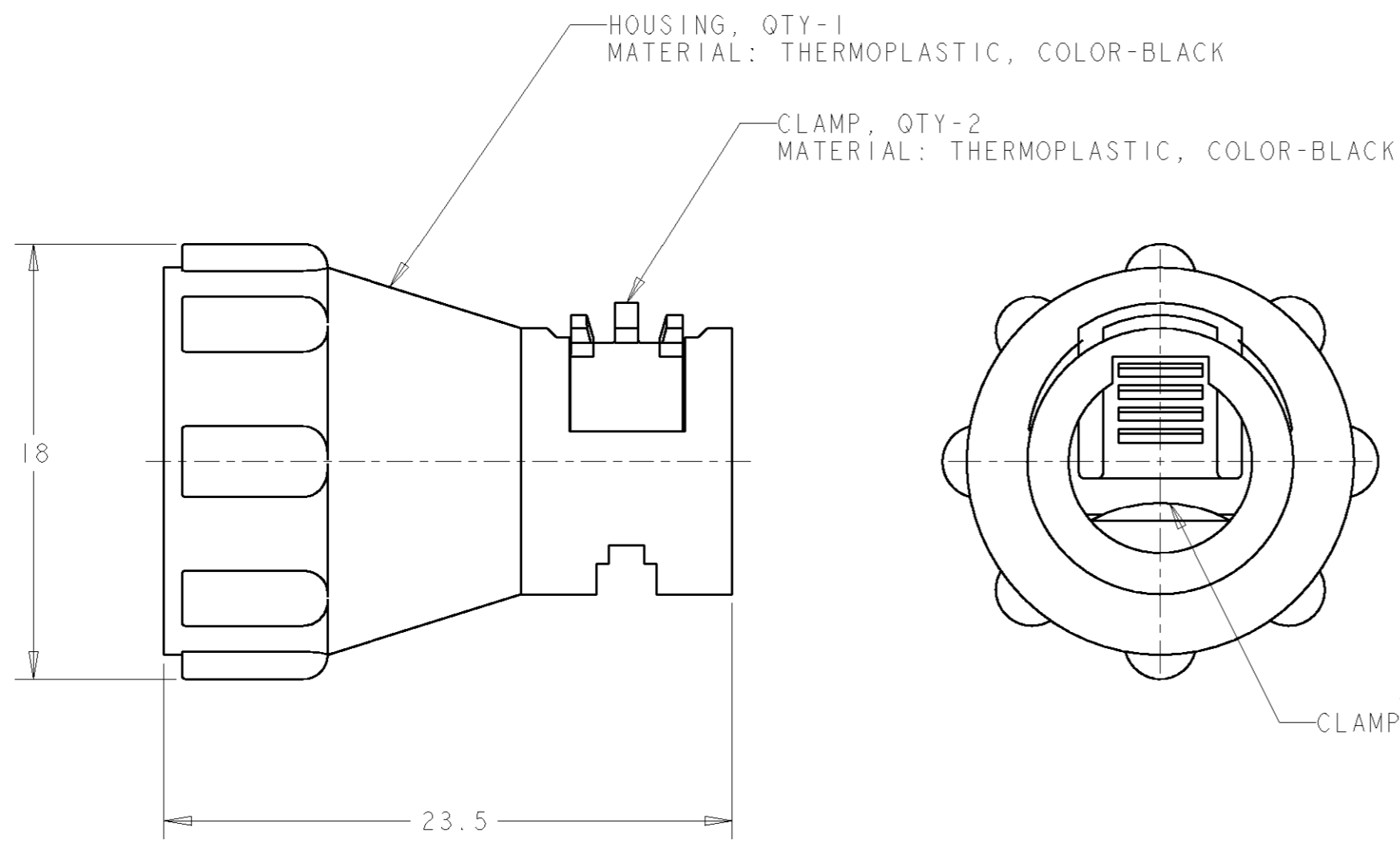
3

2

1

THIS DRAWING IS UNPUBLISHED. RELEASED FOR PUBLICATION 20
 © COPYRIGHT 20 BY TYCO ELECTRONICS CORPORATION. ALL RIGHTS RESERVED.

LOC	DIST	REVISIONS			
P	LTR	DESCRIPTION	DATE	DWN	APVD
FT	0	A	RELEASED EC 0G3B-0568-03	11JUL2003	SW HW



- 1. PARTS PACKAGED UNASSEMBLED.
- 2 CABLE CLAMPING AREA ADJUSTABLE FROM 0.76mm² TO 15.8mm².
- 3. 4.4 MAXIMUM CABLE OUTSIDE DIAMETER.

BULK	1445760-02
INDIVIDUAL	1445730-01
PACKAGING	PART NUMBER

<small>THIS DRAWING IS A CONTROLLED DOCUMENT FOR TYCO ELECTRONICS CORPORATION IT IS SUBJECT TO CHANGE AND THE CONTROLLING ENGINEERING ORGANIZATION SHOULD BE CONTACTED FOR THE LATEST REVISION.</small>		DWN 02AUG2001 SHANE WIEST CHR 02AUG2001 G DOUTY APVD 11JUL2003 H WAKFEM		Tyco Electronics Harrisburg, PA 17105-3608	
DIMENSIONS: mm 		TOLERANCES UNLESS OTHERWISE SPECIFIED: 0 PLC ±- 1 PLC ±- 2 PLC ±0.13 3 PLC ±- 4 PLC ±- ANGLES ±-		NAME ASSEMBLY, STRAIN RELIEF, VERTICAL SIZE 8, MINI CPC	
MATERIAL - SEE CALLOUT		FINISH - -		PRODUCT SPEC - APPLICATION SPEC - WEIGHT -	
CUSTOMER DRAWING				SIZE A3 CAGE CODE 00779 DRAWING NO C-1445730	RESTRICTED TO -
SCALE 4:1				SHEET 1 OF 1	REV A